



THE ALL-NEW MACK® MD SERIES

# BUILT FOR GROWTH.



## MACK MD7

Dependability, durability and steadfast support—everything you've come to expect from Mack is now available in a medium-duty truck. We're proud to introduce the Mack MD Series. These trucks, like the Mack MD7, are packed from the exterior to the driver environment with features to ensure a smooth, stress-free ride—and backed by our unmatched local dealer support. We've taken care of the details so you can focus on growing your business.

**BORN READY.**

# MACK® MD7

## KEY FEATURES

Cab air suspension (standard)

Full-width aluminum grated steps for easy entry and egress, horizontally offset for visibility (standard)

50-gallon fuel tank (standard), 90-gallon (optional)

Frame rails rated at 120,000 psi yield strength (standard)

34-inch assembled frame width

Rear leaf spring suspension (standard), Mack AirRide (optional)\*

\*Mack MaxiLite air ride available on select wheelbases only.

Tires 11R22.5 All Season (standard), Rear Traction tires (optional)

Steel power coated white disc wheels (standard), aluminum wheels (optional)

Passenger door lower peep window (standard)

Flat back-of-cab and clear frame platform for easy body installation

Wheelbases to accommodate 10- to 26-foot typical van bodies

Clear space on driver and passenger side frame rails



### Comfortable Interiors

The Mack MD7 brings heavy-duty levels of driver comfort and functionality to medium-duty trucks, to keep drivers comfortable and safe all day. Tilt/telescoping steering column, air suspension driver seat and all controls within reach keep drivers in control.

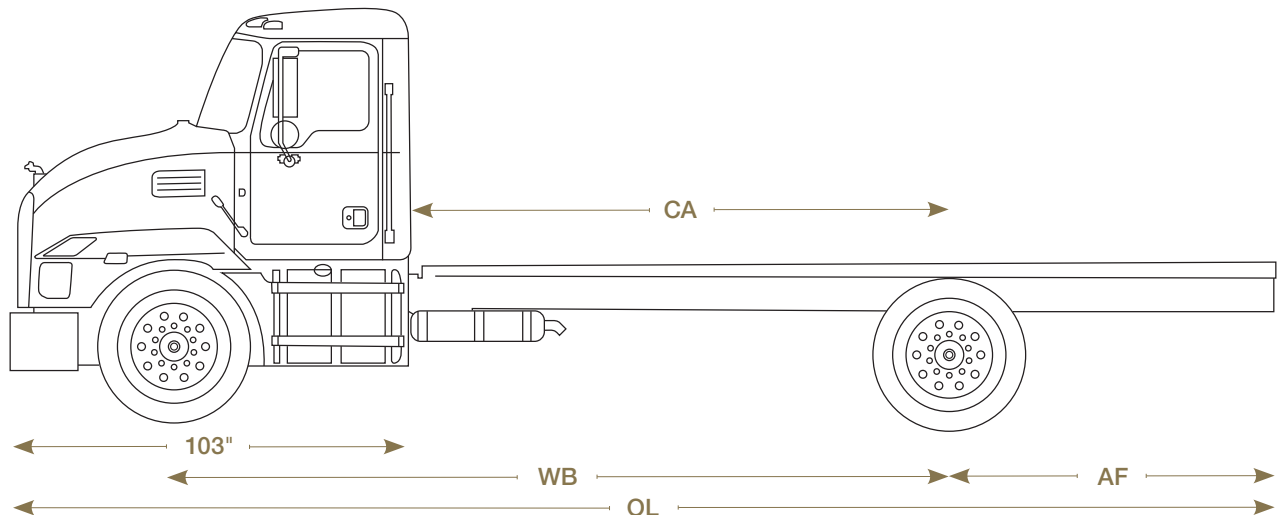
### All Day Uptime

Mack uses Geotab to integrate the MD7 into our industry-leading Uptime Services. Mack's ASIST platform streamlines and shares all service communications among the customer, dealer and Mack's 24/7 Uptime Center.

Typical Dry Van Body Length	(ft.)	10	12/14	16	18	20	22	24	26
Wheelbase*	WB (in.)	150	166	186	206	221	236	251	270
Cab to Rear Axle	CA (in.)	87	103	123	143	158	173	188	207
After Frame	AF (in.)	50	55	60	65	70	80	90	100
Overall Length Chassis	OL (in.)	240	261	286	311	341	356	381	410
GVWR	(lb.)	33,000	33,000	33,000	33,000	33,000	33,000	33,000	33,000
Front Axle Capacity	(lb.)	12,000	12,000	12,000	12,000	12,000	12,000	12,000	12,000
Rear Axle Capacity	(lb.)	21,000	21,000	21,000	21,000	21,000	21,000	21,000	21,000
Front Axle Weight	(lb.)	6,180	6,235	6,275	6,340	6,375	6,400	6,450	6,500
Rear Axle Weight	(lb.)	3,450	3,465	3,495	3,525	3,575	3,620	3,665	3,715
Total Chassis Weight**	(lb.)	9,630	9,700	9,770	9,865	9,950	10,020	10,115	10,215

\*Wheelbase selection should be based on specific weight distribution.

\*\*Total Chassis Weight is for standard specifications EXCLUDING driver and fuel.



# MACK® MD7

<b>ENGINE</b>	Cummins B6.7 Inline 6-cylinder, Turbo/Intercooled Diesel
<b>Horsepower/Torque</b>	220 hp/600 lb. ft.
	240 hp/560 lb. ft.
	250 hp/660 lb. ft.
	260 hp/660 lb. ft.
	280 hp/660 lb. ft.
300 hp/660 lb. ft.	
<b>Air Cleaner Type</b>	11 inch
<b>Alternator</b>	Delco 12V, 145 amp
<b>Batteries</b>	Dual 760CCA (1520 total CCA)
<b>Engine Brake</b>	Cummins with dash switch
<b>Fuel Filter</b>	Filter and Water Separator
	Heated, Fuel and Water Separator
<b>Starter</b>	Melco12V

<b>TRANSMISSION</b>	<b>STANDARD</b> Allison 2500HS 6-speed, double OD rated to 660 lb. ft. torque, w/Fuel Sense 2.0 Plus	<b>OPTIONAL</b> Allison 2500RDS 6-speed, double OD rated to 660 lb. ft. torque, w/Fuel Sense 2.0 Plus

<b>Rear Axle Ratios</b>	5.29	5.57	5.83	5.29	5.57	5.83
<b>Est Engine RPM @ 65 mph</b>	1916	2018	2112	1916	2018	2112

## FRONT AXLE

<b>GAWR</b>	12,000 lbs.
<b>Axle Type</b>	Meritor MFS-12, I-Beam
<b>Suspension</b>	Hendrickson Taper Leaf, 12,000 lbs.
<b>Shock Absorbers</b>	Telescopic type

## CHASSIS FRAME

<b>Rail Dimensions</b>	260 x 70 x 8 mm
<b>Yield Strength and RBM</b>	120k psi, 1.547m RBM
<b>Assembled Width</b>	34 inches (864 mm)

<b>REAR AXLE</b>	<b>STANDARD</b>	<b>OPTIONAL</b>
<b>GAWR (lb.)</b>	21,000	21,000
<b>Axle Type – Meritor</b>	MS-21-13x	MS-21-14x*
<b>Suspension – Taper Leaf (lb.)</b>	21,000	
<b>Suspension – Optional (lb.)</b>	Mack Maxlite AL210 21,000**	

☐ Shaded areas indicate optional equipment.

\*14x and driver controlled differential lock, Rear axle option equipped with driver controlled differential lock.

\*\*Rear air suspension available on 206-, 221-, 236-, 251- and 270-inch wheelbases only.

<b>CAB</b>	Steel cab with Premium trim level
<b>Air Conditioning</b>	Standard
<b>Audio</b>	AM/FM with Bluetooth
<b>Cab Lighting</b>	Interior courtesy lights (2)
<b>Cab Mirrors</b>	Bright finish with lower convex mirror
<b>Cab Suspension</b>	Dual airbag cab suspension
<b>Cruise Control</b>	Standard
<b>Cup Holders</b>	Two large cup holders in console
<b>Passenger Door Window</b>	Lower door window with lens
<b>Power Outlets</b>	12 volt and USB
<b>Power Steering</b>	Standard
<b>Power Windows and Locks</b>	Standard
<b>Pro Dash</b>	Premium dash cluster
<b>Seat Driver</b>	High back, air suspension w/vinyl trim
<b>Seat Passenger</b>	High back, fixed base w/vinyl trim
<b>Steering Column</b>	Tilt and Telescopic
<b>Steering Wheel</b>	Flat-bottom steering wheel
<b>Sun Visors</b>	Driver and Passenger

## BRAKE SYSTEM

<b>BRAKE SYSTEM</b>	Bendix Antilock Braking System “S” Cam Air Brake System
<b>Front Brakes</b>	Meritor S Cam, 16.5" x 5" in.
<b>Rear Brakes</b>	Meritor S Cam, 16.5" x 7" in.
<b>Parking Brake</b>	Rear axle, spring brake

## FUEL TANK

<b>FUEL TANK</b>	Round 22 in, driver-side. 50 gallons
	Round 22 in, driver-side. 90 gallons

## DEF TANK

<b>DEF TANK</b>	25 liter, passenger-side
-----------------	--------------------------

## WHEELS

<b>WHEELS</b>	Accuride steel powder coated white disc wheels 8.25 x 22.5 in., offset 6.6 in., 5-hole
	Accuride aluminum wheels 8.25 x 22.5 in., offset 6.59 in.; 10-hole

## TIRES

<b>TIRES</b>	Bridgestone R268 Ecopia radials All season, all position, 11R22.5 (G)
	Bridgestone M760 Ecopia radials Traction, rear position, 11R22.5 (G)

# MACK® MD7



## WARRANTY SUMMARY

MD Series Models MD6, MD7

Typical Vocations	Distribution, Short Haul or P&D
Axle Configuration	4 x 2
Basic Coverage	24 months/unlimited miles*
Batteries	12 months/unlimited miles*
Chassis Towing	90 days or 5,000 miles (8 047 KM), whichever occurs first*
Air Conditioning	24 months/unlimited miles – air conditioning (sealed system only)
Engine/Emission	Warranty provided by Cummins Engine
Transmission	Warranty provided by Allison Transmission
Driveline, Rear Axle, Front Steer Axle	24 months/unlimited miles*
Cab Structure and Internal Cab Corrosion	60 months/unlimited miles*
Frame Rail/Cross Members	60 months/unlimited miles*
Noise Emission	Life of vehicle*

\*See complete warranty certificate for details.

Shaded areas indicate optional equipment.

All illustrations, specifications and descriptions in this specification are based on the latest product information available at the time of this publication. The right is reserved to make changes in price, materials, equipment, design, specifications, diagrams and models, and to discontinue models of equipment at any time, without notice and without incurring any obligation whatsoever. For more information on additional options and accessories, contact Mack Trucks, Inc. ([www.macktrucks.com](http://www.macktrucks.com)).

## UPTIME SUMMARY

MD Series Models MD6, MD7

Mack OneCall™	12 months
Mack ASIST	12 months
Geotab Basic	12 months
<b>PURCHASE OPTIONS</b>	
Mack OneCall	24-60 months, in 12 mo. increments
Mack ASIST	24-60 months, in 12 mo. increments
Geotab Basic	24-60 months, in 12 mo. increments
Geotab Plus	12-60 months, in 12 mo. increments

## OTHER OPTIONS

Allison Programming	Fuel Sense 2.0 MAX
Battery Shut Off	Under cab, passenger side
Engine Block Heater	
Air Filter Indicator	Under hood, restriction indicator mounted to air cleaner
PTO Preparation Kit	Harness and switch kit
Cab Mirrors	Chrome finish and convex mirror heated and motorized
Seat Passenger	Two-person bench seat w/vinyl and under seat storage
Drivers Seat Trim	Modura cloth upgrade seat upholstery
Passenger Seat Trim	Modura cloth upgrade seat upholstery
Passenger Bench Trim	Modura cloth upgrade seat upholstery